



DSS-40 (LC) SERIES

RESIDENTIAL TYPE ELECTRIC WATER HEATER



STANDARD SPECIFICATIONS

PRODUCT DESCRIPTION

PLACE OF USAGE

DIMENSIONS AND SPECIFICATIONS

DIMENSIONS

SUGGESTED INSTALLATION SCHEMATIC

****** Click the titles in order to access the relevant section...***

Diko Electrical Equipments Ind. and Trade Corp.

IMES Sanayi Sitesi B Blok. 206 Sok. No:6 ZIP Code:37775

Dudullu - ISTANBUL / TURKEY

Phone:+90216 3142626 Fax:+90216 4204901

www.diko.com.tr

info@diko.com.tr



DSS-40 (LC) Series

Residential Type Electric Water Heaters

STANDARD SPECIFICATIONS

- Vertical & Wall Mounted
- 40 – 50 – 70 liter
- Thermometer with bi-metal contact
- (30 – 80)°C internal thermostat control
- 60°C factory default temperature setting
- 2 KW standard heater power
- Energy Signal Lamp
- 220V, 9A, 50Hz
- Glass wool Insulation
- Electrostatic Powder Paint Coated Body
- Smart Appearance
- 2 years product guarantee
- 10 years spare parts supply guarantee



[↑ up](#)



PRODUCT DESCRIPTION

DSS-40 Series electric water heaters are wall mounted type. High mechanical and electric protection is provided. In this serie the max. tank capacity is 70 liters. Please contact us if you'll require different capacity and KW values.

DSS-40 series LC model water heaters are provided with a fix thermostat. User can follow the tank water temperature through the thermometer provided on tank. Factory default consumption water temperature setting is 60°C. Safety valve with check valve is a mechanical safety accessory which is provided in order to ensure protection against over pressure.

- Bi-metal Thermometer
- Energy Signal Lamp

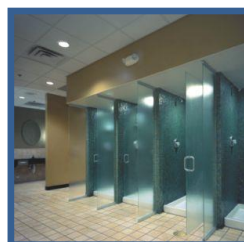
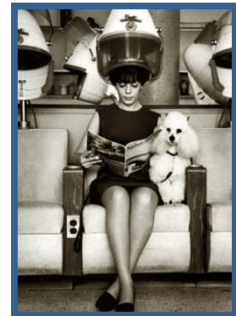
Heating will automatically stops when the tank water temperature reaches 60°C and the indicator lamp turns off. Energy lamp turns on and the heater starts to heat tank water when there is water consumption. Inner tank is coated with non-corrosive layer. This layer prevents electrolytic reactions and cracks in order to maximize the life time. This special construction also prevents micro-organisms to settle in.

[↑ up](#)



PLACE OF USAGE :

- Residences
- Apartments
- Summer Houses
- Gym Saloons
- Construction Sites
- Containers
- Beauty Saloons
- Offices





DIMENSIONS AND TECHNICAL SPECIFICATIONS :

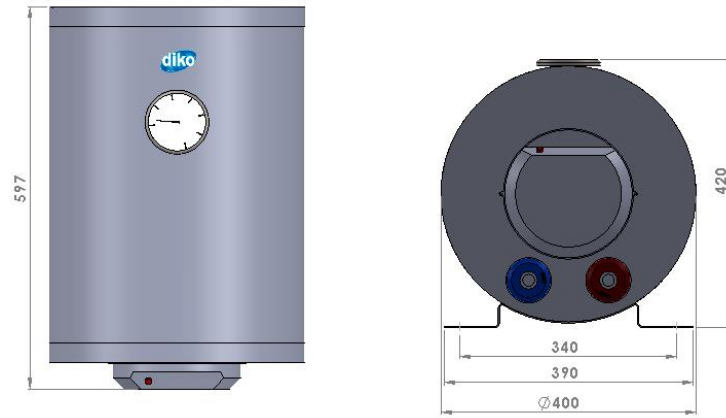
Model	DSS-40 (LC)	DSS-50 (LC)	DSS-70 (LC)
Volume	40 liter	50 liter	70 liter
Power	1 x 1950 Watt		
Voltage, Current, Frequency	220V, 9A, 50 Hz		
Temperature Gauge	Bi-metal Thermometer		
Thermostat Adjustment Range	(30 - 80) °C		
Factory Default Temperature	60°C Fix Temperature		
Insulation	Glass Wool Insulation		
Water Inlet – Outlet	1/2"		
max. Operating Pressure	6 bar		
Test Pressure	10 bar		
Protection Against Humidity	IP X 4		
Heating Time	51,6 min.	64,5 min.	90,3 min.
Diameter	400 mm	400 mm	400 mm
Height	597 mm	697 mm	891 mm
Weight	16 kg	21 kg	28 kg
Number of Available in container type20	195 piece	130 piece	130 piece

Diko reserves the right of changing the dimensions and models without announcing.

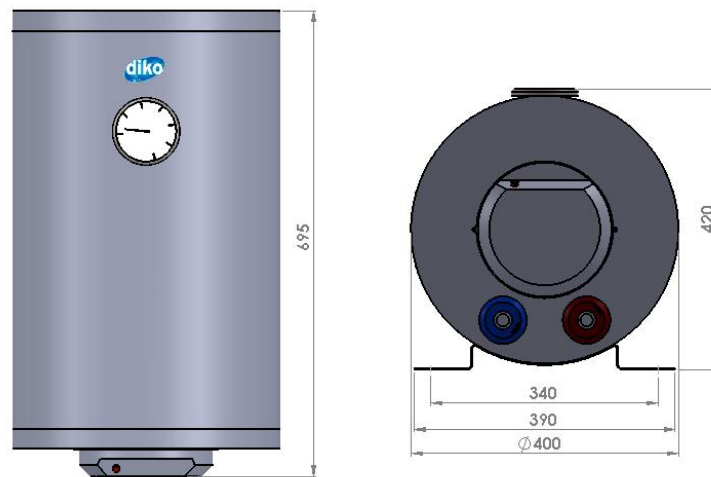
Heating time datas specified above are given for $\Delta T=37^{\circ}\text{C}$.

[↑ up](#)

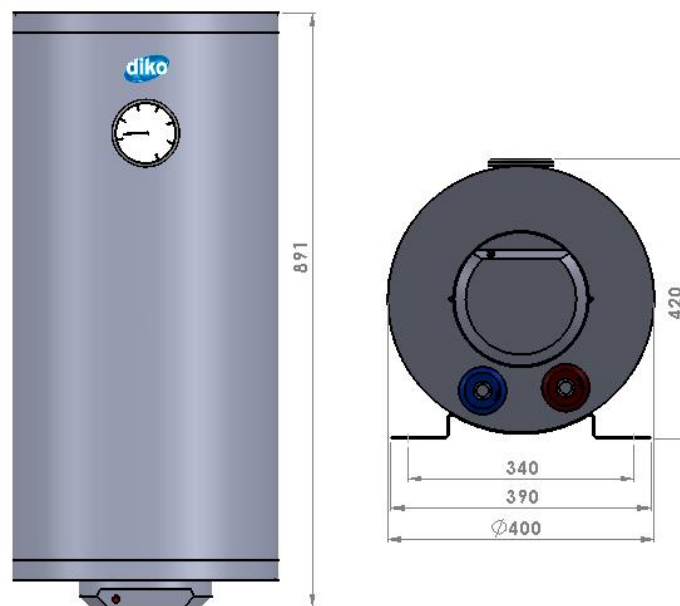
DIMENSIONS



40 Liter



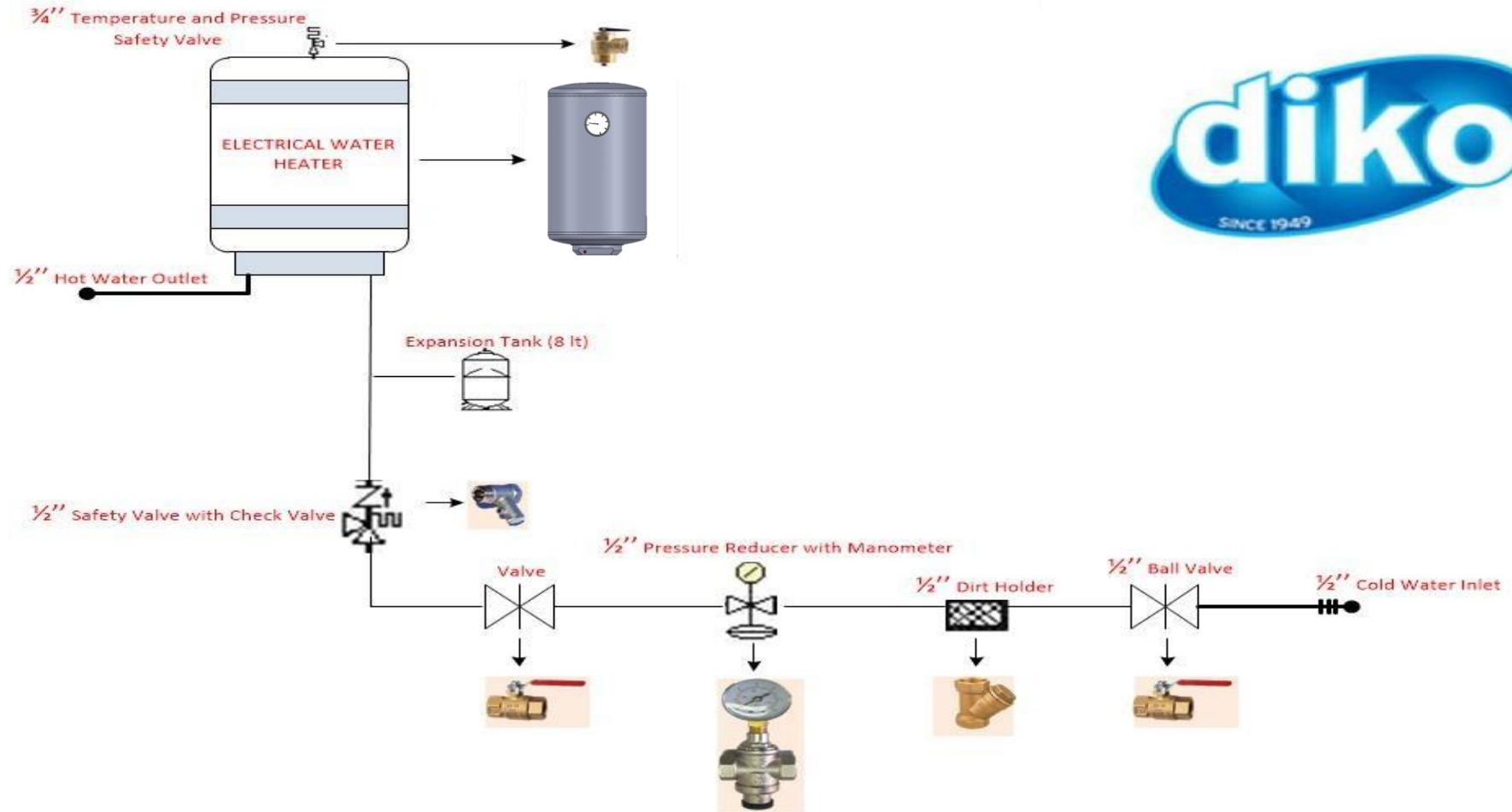
50 liter



70 liter

[↑ up](#)

SUGGESTED INSTALLATION SCHEMATIC :



***All the accessories stated above are optional**

[↑ up](#)