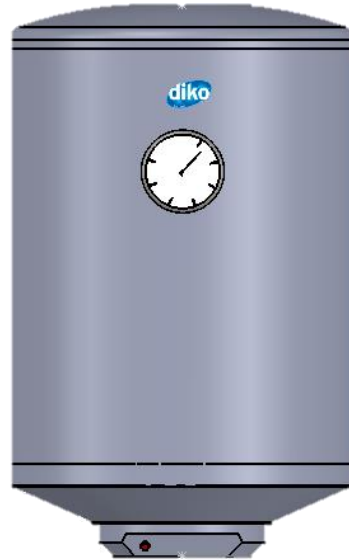




DSS-N-42 (LC) SERIES RESIDENTIAL TYPE ELECTRIC WATER HEATER



STANDARD SPECIFICATIONS

PRODUCT DESCRIPTION

PLACE OF USAGE

DIMENSIONS AND SPECIFICATIONS

DIMENSIONS

SUGGESTED INSTALLATION SCHEMATIC

***** Click the titles in order to access the relevant section...**

Diko Electrical Equipments Ind. and Trade Corp.

IMES Sanayi Sitesi B Blok. 206 Sok. No:6 ZIP Code:37775

Dudullu - ISTANBUL / TURKEY

Phone:+90216 3142626

Fax:+90216 4204901

www.diko.com.tr

info@diko.com.tr



DSS-N (LC) Serie

Residential Type Electric Water Heaters

STANDARD SPECIFICATIONS

- Vertical & Wall Mounted
- 40 – 50 – 60 – 80 – 100 – 120 liter
- Thermometer with bi-metal contact
- (30 – 80)°C internal thermostat control
- 60°C factory default temperature setting
- 2 kW standard heater power
- Energy Signal Lamp
- 220V, 9A, 50Hz
- Glass wool Insulation
- Electrostatic Powder Paint Coated Body
- Smart Appearance
- 2 years product guarantee
- 10 years spare parts supply guarantee



[↑ up](#)



PRODUCT DESCRIPTION

DSS-N Serie electric water heaters are wall mounted type. High mechanical and electric protection is provided. In this serie the max. tank capacity is 120 liters. Please contact us if you'll require different capacity and KW values.

DSS-N serie LC model water heaters are provided with a fix thermostat. User can follow the tank water temperature through the thermometer provided on tank. Factory default consumption water temperature setting is 60°C. Safety valve with check valve is a mechanical safety accessory which is provided in order to ensure protection against over pressure.

- Bi-metal Thermometer
- Energy Signal Lamp

Heating will automatically stops when the tank water temperature reaches 60°C and the indicator lamp turns off. Energy lamp turns on and the heater starts to heat tank water when there is water consumption. Inner tank is coated with galvanized steel.

[↑ up](#)



PLACE OF USAGE :

- Residences
- Apartments
- Summer Houses
- Gym Saloons
- Construction Sites
- Containers
- Beauty Saloons
- Offices



[↑ up](#)



DIMENSIONS AND TECHNICAL SPECIFICATIONS :

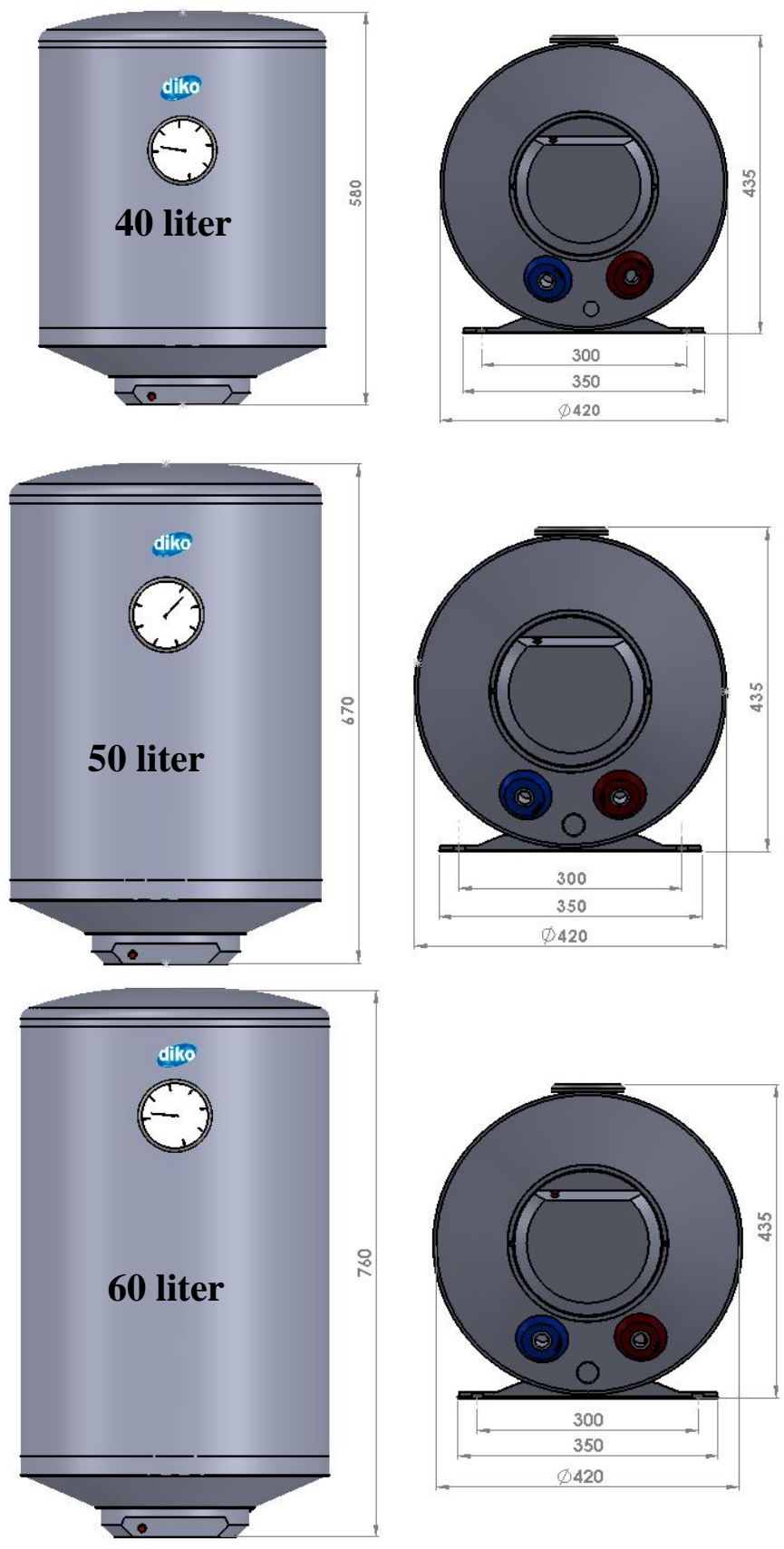
Model	DSS-40N(LC)	DSS-50N(LC)	DSS-60N(LC)	DSS-80N(LC)	DSS-100N(LC)	DSS-120N(LC)
Volume	40 liter	50 liter	60 liter	80 liter	100 liter	120 liter
Power	1 x 1950 Watt					
Voltage-Current-Frequency	220V, 9A, 50 Hz					
Thermostat Gauge	Bi-metal thermometer					
Thermostat Adjustment Range	(30 - 80) °C					
Factory Default Temperature Setting	60°C Fix Temperature					
Insulation	Glass Wool Insulation					
Water Inlet-Outlet	1/2"					
Max. Operating Pressure	6 bar					
Test Pressure	10 bar					
Protection Against Humidity	IP X 4					
Heating Time	51,6 min.	64,5 min.	77,4 min.	103,3 min.	129,1 min.	154,9 min.
Diameter	420 mm	420 mm	420 mm	420 mm	420 mm	420 mm
Height	580 mm	670 mm	760 mm	940 mm	1110 mm	1290 mm
Weight	19 kg	22 kg	25 kg	31 kg	36 kg	42 kg
Package Dimension	47x47x63 cm	47x47x72 cm	47x47x81 cm	47x47x99 cm	47x47x116 cm	47x47x134 cm
Number of Available in container type20	180 piece	180 piece	120 piece	120 piece	120 piece	60 piece

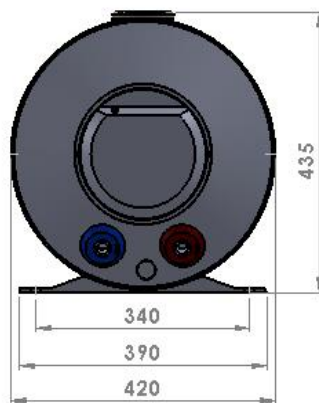
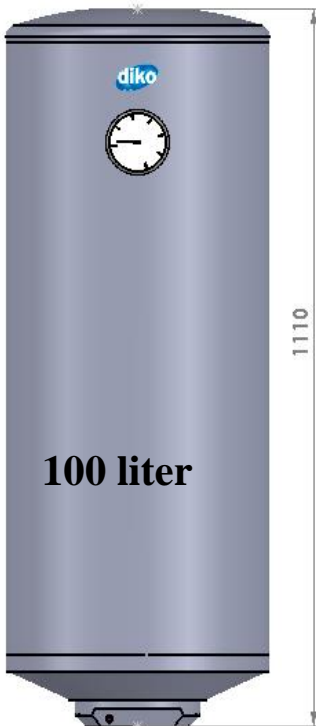
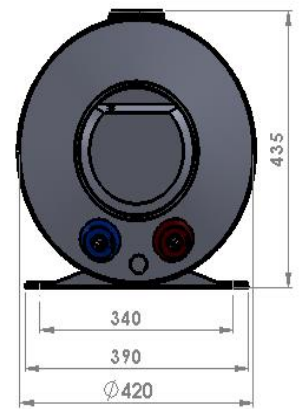
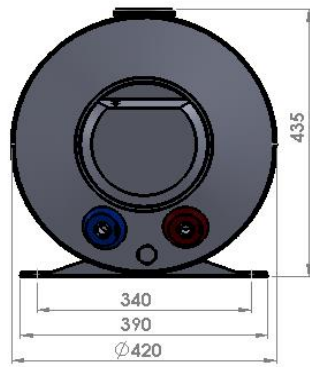
Diko reserves the right of changing the dimensions and models without announcing.
Heating time datas specified above are given for $\Delta T=37^{\circ}\text{C}$.



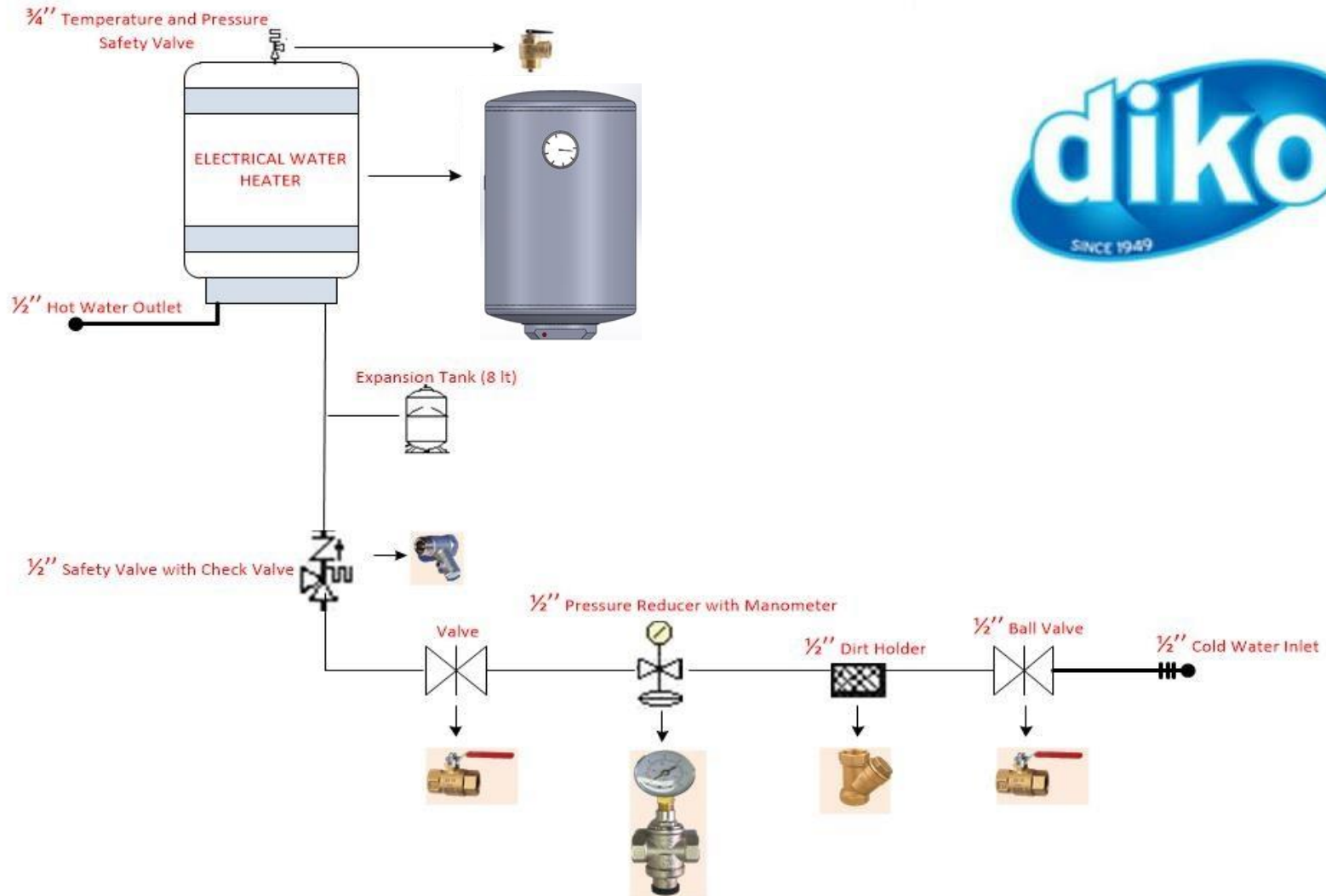
[↑ up](#)

DIMENSIONS





SUGGESTED INSTALLATION SCHEMATIC



*All the accessories stated above are optional

[↑ up](#)