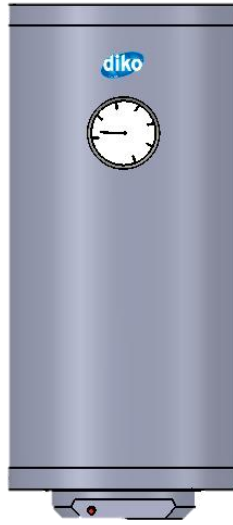




DSS-D-32 (LC) SERIES

RESIDENTIAL TYPE ELECTRIC WATER HEATER



[STANDARD SPECIFICATIONS PRODUCT](#)

[PRODUCT DESCRIPTION](#)

[PLACE OF USAGE](#)

[DIMENSIONS AND SPECIFICATIONS](#)

[DIMENSIONS](#)

[SUGGESTED INSTALLATION SCHEMATIC](#)

****** Click the titles in order to access the relevant section...***

Diko Electrical Equipments Ind. and Trade Corp.

IMES Sanayi Sitesi B Blok. 206 Sok. No:6 ZIP Code:37775

Dudullu - ISTANBUL / TURKEY

Phone:+90216 3142626

Fax:+90216 4204901

www.diko.com.tr

info@diko.com.tr



DSS-D-32 (LC) Series Residential Type Electric Water Heaters

STANDARD SPECIFICATIONS

- Vertical & Wall Mounted
- 40 – 50 – 60 liter
- Thermometer with bi-metal contact
- (30 – 80)°C internal thermostat control
- 60°C factory default temperature setting
- 2 kW standard heater power
- Energy Signal Lamp
- 220V, 9A, 50Hz
- Glass wool Insulation
- Electrostatic Powder Paint Coated Body
- Smart Appearance
- 2 years product guarantee
- 10 years spare parts supply guarantee



[up](#)



PRODUCT DESCRIPTION

DSS-D Serie electric water heaters are wall mounted type. High mechanical and electric protection is provided. In this serie the max. tank capacity is 60 liters. Please contact us if you'll require different capacity and KW values.

DSS-D serie LC model water heaters are provided with a fix thermostat. User can follow the tank water temperature through the thermometer provided on tank. Factory default consumption water temperature setting is 60°C. Safety valve with check valve isa mechanical safety accessory which is provided in order to ensure protection against overpressure.

- Bi-metal Thermometre
- Energy Signal Lamp

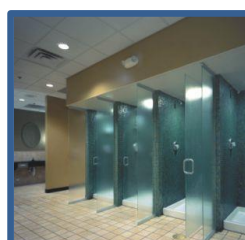
Heating will automatically stops when the tank water temperature reaches 60°C and the indicator lamp turns off. Energy lamp turns on and the heater starts to heat tank water when there is water consumption. Inner tank is coated with non corossive layer. This layer prevents electrolitic reactions and cracks in oder to maximize the life time. This special construction also prevents micro-organizms to settle in.

[⤴ up](#)



PLACE OF USAGE :

- Residences
- Apartments
- Summer Houses
- Gym Saloons
- Construction Sites
- Containers
- Beauty Saloons
- Offices





DIMENSIONS AND TECHNICAL SPECIFICATIONS :

Model	DSS-30D(LC)	DSS-40D(LC)	DSS-50D(LC)	DSS-60D (LC)
Volume	30 liter	40 liter	50 liter	60 liter
Power, Voltage, Current, Frequency	1 x 1950 Watt, 220V, 9A, 50 Hz			
Temperature Gauge	Bi-metal Thermometer			
Thermostat Adjustment Range	(30 - 80) °C			
Factory Adjustment Range	60°C Fix Temperature			
Insulation	Glass Wool Insulation			
Water Inlet-Outlet	1/2"			
max. Operating Pressure	6 bar			
Test Pressure	10 bar			
Protection Against Humidity	IP X 4			
Heating Time	38,7 min.	51,6 min.	64,5 min.	77 ,44 min.
Diameter	320 mm	320 mm	320 mm	320 mm
Height	720 mm	835 mm	960 mm	1150 mm
Weight	16 kg	18 kg	20 kg	22 kg
Number of Available in container type20	260 piece	195 piece	195 piece	130 piece

Diko reserves the right of changing the dimensions and models without announcing
 Heating time datas specified above are given for $\Delta T=37^{\circ}C$.

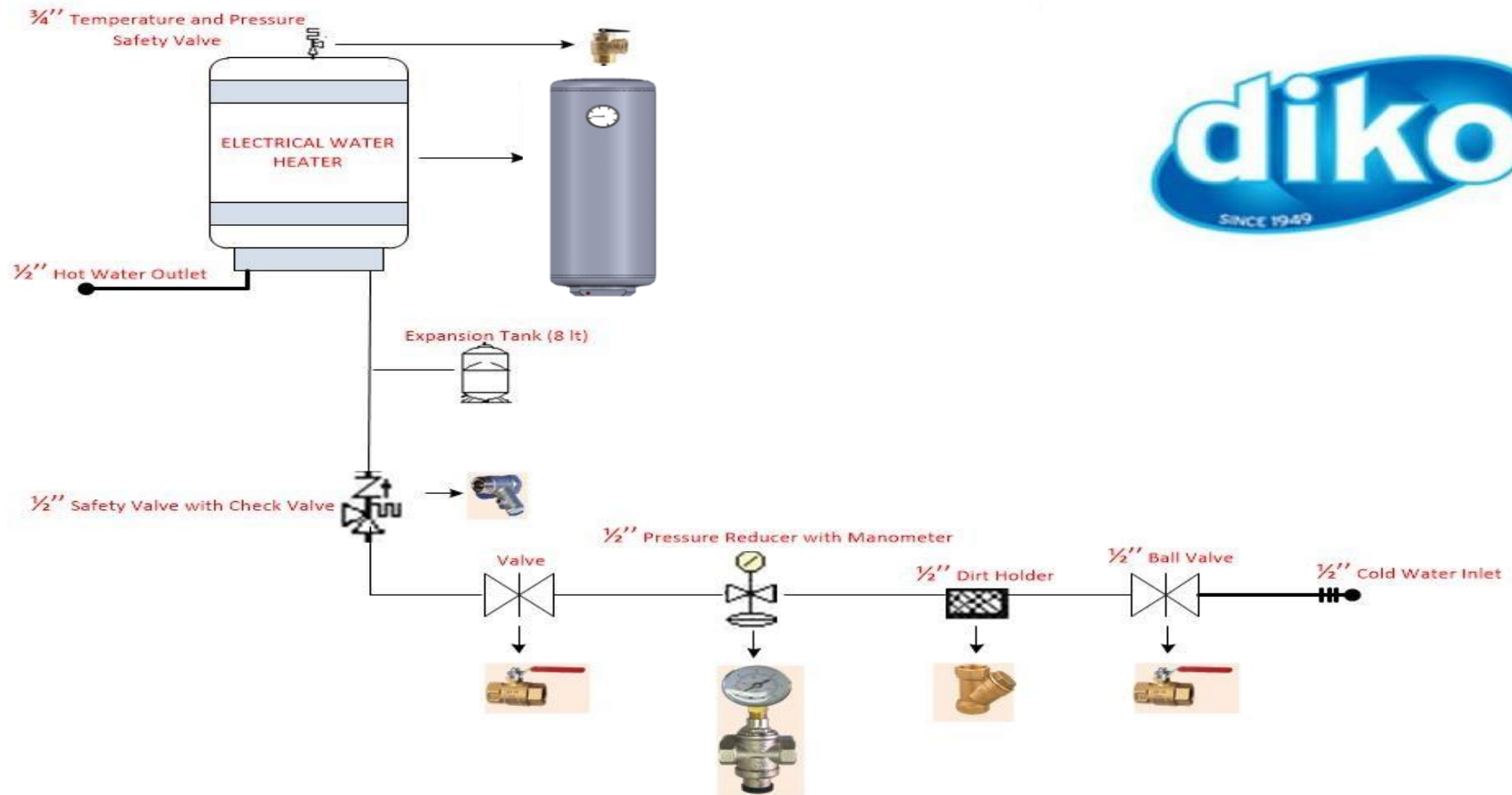
up

DIMENSIONS



 [up](#)

SUGGESTED INSTALLATION SCHEMATIC :



***All the accessories stated above are optional**